

# OCH-SCF

Date: \_\_\_\_\_ Project: \_\_\_\_\_ Type: \_\_\_\_\_

**Ordering Guide:**

Series	Model	Length	Lens	Channel Finish
OCH	SCF			
		<b>4</b> (4') - Aluminum	<b>CL</b> (Clear)	<b>AL</b> (Aluminum)
		<b>2M</b> (6'6") - Black & White	<b>FR</b> (Frosted)	<b>BL</b> (Black)
		<b>CC</b> (Specify custom length)	<b>OM</b> (Opal Matte)	<b>WH</b> (White)
			<b>BL</b> (Black)	
			<b>60FR</b> (60° beam spread)	



Lumen loss multiplier: **CL** - 0.95, **FR** - 0.80, **OM** - 0.70, **BL** - 0.50

**CL, FR, & OM** lenses available up to 82' to eliminate light gaps between channel breaks. Consult your rep or Omnilight.

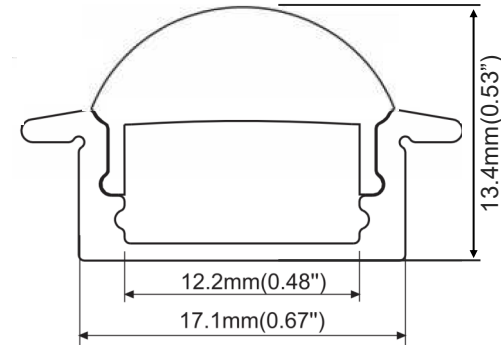
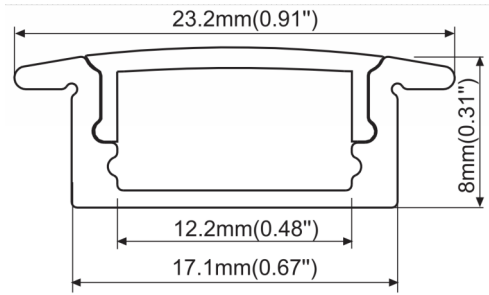
**Features:**

- 6063-T5 Aircraft Aluminum
- Indoor/Outdoor
- Custom Lengths Available

**Included Accessories:**



**End Caps**  
Finishes: Gray, White, Black



With 60° lens

