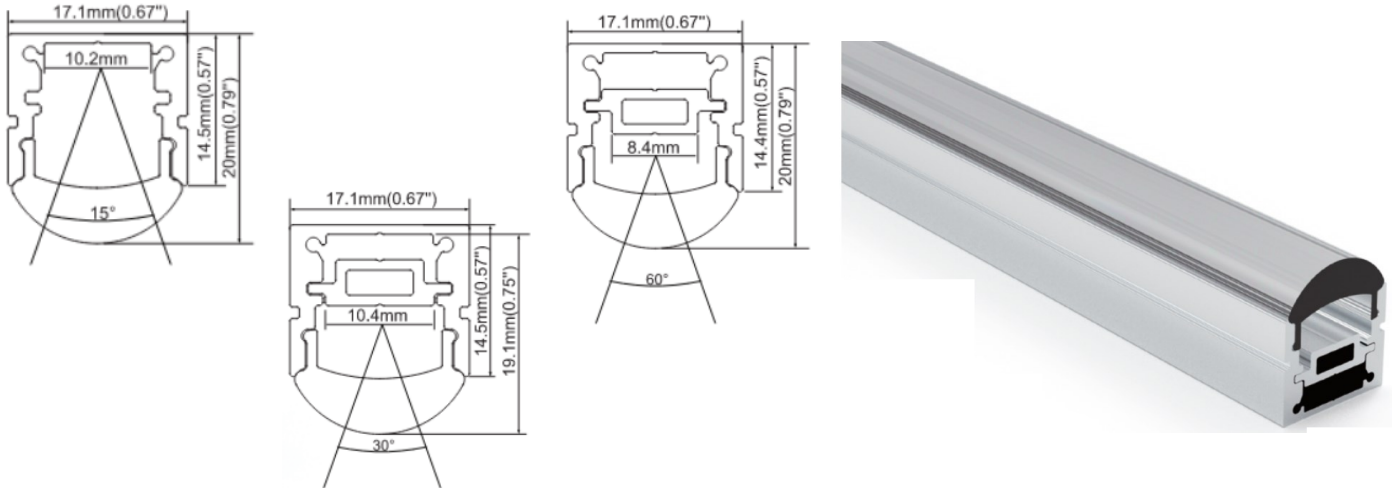


OCH-140

Surface : Pendant Channel



Date: _____ Project: _____ Type: _____



Accessories



End Caps



Mounting Clip



Adjustable Bracket

Ordering Guide:

Series	Model	Length	Cut Variant	Lens	Finish	Mounting
OCH	140	2M (6'6") CC (Custom Cut)	A (Cut to Actual) R (Cut to Ribbon)	FR (Frosted)	AL (Aluminum) WH (White) BK (Black)	S (Surface)

All Omnilight products are tested and warranted for use exclusively with Omnilight power supplies