

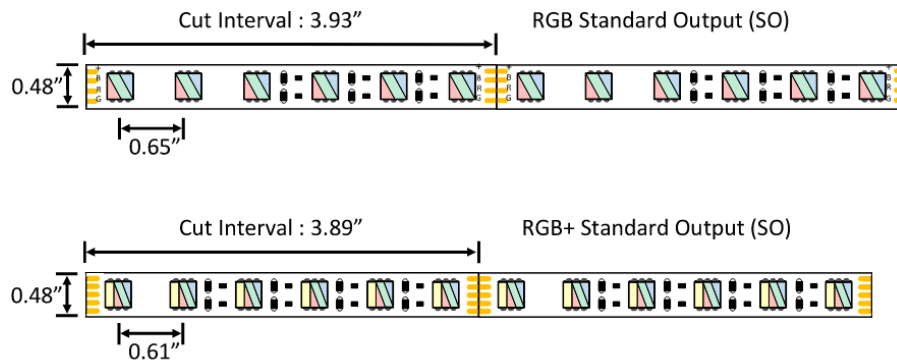
# Continuum Series

RGB/RGB+ : Extended Run Ribbon : IP20



Date: \_\_\_\_\_ Project: \_\_\_\_\_ Type: \_\_\_\_\_

Model Number		CON-RGB-SO	CON-RGBXX-SO
Lumens/foot	<span style="color:red">●</span> Red	16	12
	<span style="color:green">●</span> Green	57	25
	<span style="color:blue">●</span> Blue	12	9
Plus	<span style="color:orange">●</span> 2700K	N/A	33
	<span style="color:orange">●</span> 3000K	N/A	35
	<span style="color:orange">●</span> 3500K	N/A	38
	<span style="color:orange">●</span> 4100K	N/A	40
	<span style="color:yellow">●</span> Amber	N/A	15
Watts/foot		1.47	1.47
Cut Section		3.93"	3.89"
Diode Spacing (pitch) O.C.		0.66"	0.61"
Diodes per foot		18	19
Maximum run length		65.5'	65.5'



## Ordering Guide:

Series	CCT	Output/Foot	Length
CON	RGB (RGB)	SO (1.47 watts)	65 (full reel—65.5 feet)
	RGB27 (RGB+2700K)		CC @XX (custom cut, specify footage)
	RGB30 (RGB+3000K)		
	RGB35 (RGB+3500K)		
	RGB41 (RGB+4100K)		
	RGBAM (RGB+Amber)		



All Omnilight products are tested and warranted for use exclusively with Omnilight power supplies