

HVR SERIES - RGB+

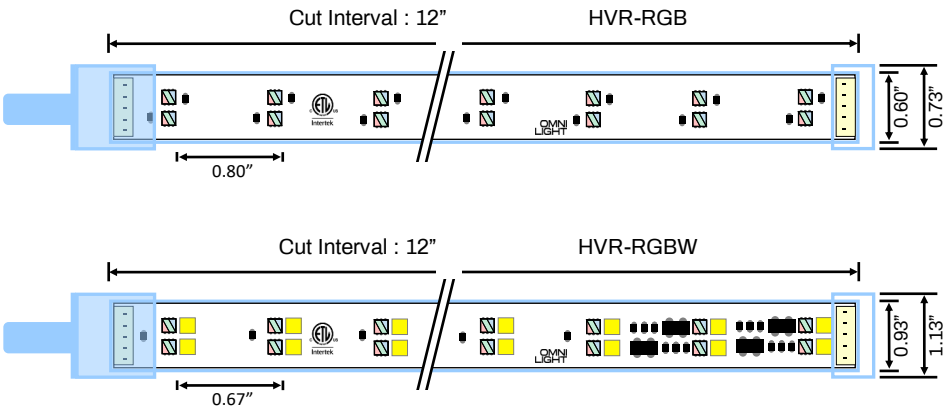
INTERIOR/EXTERIOR



Date: _____ Project: _____ Type: _____

Ordering Guide:

Series	-	CCT	-	Output/Foot	-	Length
HVR	-	RGB (RGB) RGBW (RGB+W)	-	SO (2 Watts - RGB) SO (3 Watts - RGBW)	-	CC @XX (custom cut, specify footage)



Features:

- 120 Volt Ribbon
- Indoor/Outdoor
- RGB, RGBW
- Constant current
- 50,000 hour life
- 5 year warranty
- IP65

Note: Drawings not to scale.

HVR Series ribbon is not field cuttable. Modifications must be made in our ETL facility. Cut intervals are for layout purposes only & do not include additional length due to endcaps.

Model Number	HVR-RGB-SO	HVR-RGBW-SO
Lumens/foot	40	130
Watts/foot	2	3
Power factor	> 0.93	> 0.90
Cut section length	12"	12"
Diode spacing (pitch) O.C.	0.64"	0.42"
Diodes per foot	18	28
Maximum run length	164'	164'



HVR series ribbon comes standard with a 6 foot lead with tinned wires.
For additional options, see the accessories page

HVR SERIES - RGB+

INTERIOR/EXTERIOR



Date: _____ Project: _____ Type: _____

HVR-DMX-DECODER

Ordering Guide:

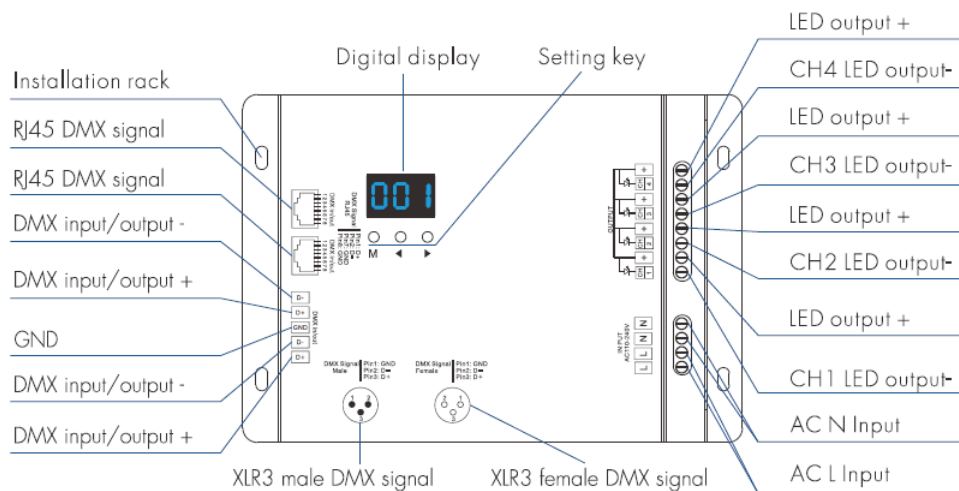
Series

HVR
-
DMX
-
DECODER



Features:

- RDM
- Stand-alone function
- Two PWM frequency
- Linear or logarithmic dimming
- 5 year warranty
- IP65



Input & Output	
Input voltage	110-240VAC
Input current	8A
Output voltage	4 x (110-240)VDC
Output current	4CH, 2A/CH
Output power	4 x (220-480)W

Environment	
Operating temperature	Ta:-20°F - 130°F
Case temperature (max)	Tc:185°F
IP rating	IP20

HVR SERIES - RGB+

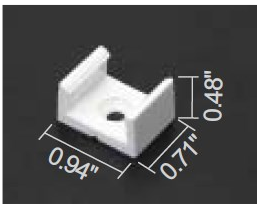
INTERIOR/EXTERIOR



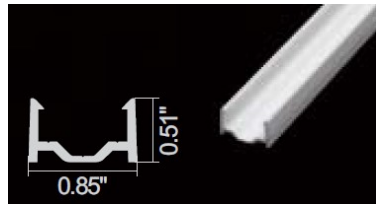
Date: _____ Project: _____ Type: _____

HVR Series ribbon is 120 volt ribbon, requiring all lengths and connections to be made in our factory in order to maintain ETL listing. Lead times apply.

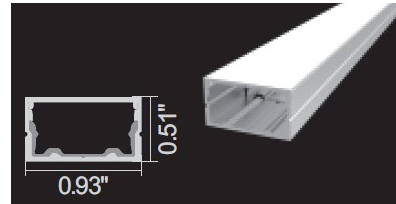
RGB



Mounting clips
(included)



HVR-CH-RGB-PC
PC Channel
(optional)

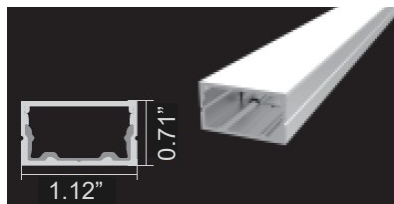


HVR-CH-RGB-AL
Aluminum channel w/lens
(optional)

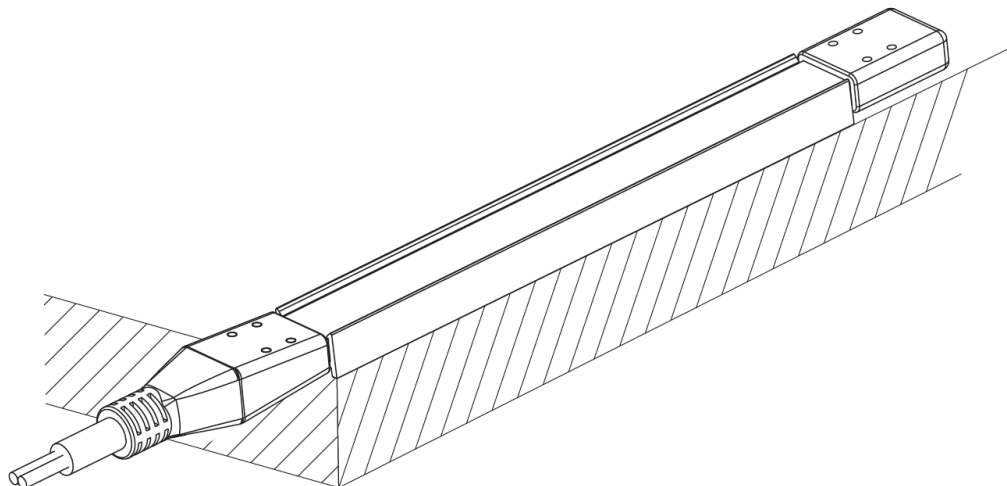
RGBW



Mounting clips
(included)



HVR-CH-RGBW-AL
Aluminum channel w/lens
(optional)



For safety, all connections are mounted outside of the channel.